



# **Rim Board Design and Installation Guide – Canada**

Version 1.1

September 8, 2008

**Corporate Office:**

**2902 Terra Court  
Sun Prairie, WI 53590  
USA  
(608) 837-2790  
[www.tecotested.com](http://www.tecotested.com)**

No part of this publication may be reproduced or used in any form or by any means without the written consent of Timberco Inc. dba TECO. Inquiries regarding permission for use of material should be submitted to:

**TECO**  
**Corporate Office**  
2902 Terra Court  
Sun Prairie, WI 53590 USA

Telephone: (608) 837-2790  
FAX: (608) 837-2830

© Copyright 2008 Timberco Inc. dba TECO

## **Introduction**

This document presents general information about designing buildings where TECO certified rim boards are used as part of the framing. It provides general information about the intended uses of rim boards, installation of the product, and some acceptable building practices when rim boards are used in light-framed wood structures. It is not intended to be an entirely comprehensive document or cover all possible uses of rim board and it may not apply if rim board is used for other purposes. All rim board is not a direct substitute for structural composite lumber, despite the fact that SCL may be used to make rim board. Consult TECO at [www.tecotested.com](http://www.tecotested.com) for clarification of any information presented in this document.

## **Product Description and Intended Uses**

A rim board is a structural element installed around the perimeter of floor framing that closes the ends of joists and performs the tasks of transferring vertical and horizontal loads to structural wall components below. The solid rectangular profile throughout its depth allows rim board to serve as an attachment surface for sheathing, weather barriers, siding and deck ledger boards, etc.. Rim board is made from engineered wood products like OSB, plywood or structural composite lumber and are most commonly used in floor systems that are framed with I- joists. Because it is an engineered wood product, rim board can be manufactured in a variety of standard depths (**Table 1**) that match the depth of I-joists used to frame the rest of the floor system.

TECO defines two grades of rim board in RB 133 *Rim Board Product Standard*, they are Standard and Performance. While both grades can be used to span openings in a foundation or over a wood-framed wall system, the Performance grade has higher design values and is suited for use in applications where greater strength is required. Proper nailing of the floor sheathing to the tops of the structural floor joists and the rim board, and proper attachment of the rim board to the framing below, results in individual structural elements that work together as a structural floor system.

**Table 1. Common dimensions of Rim Board**

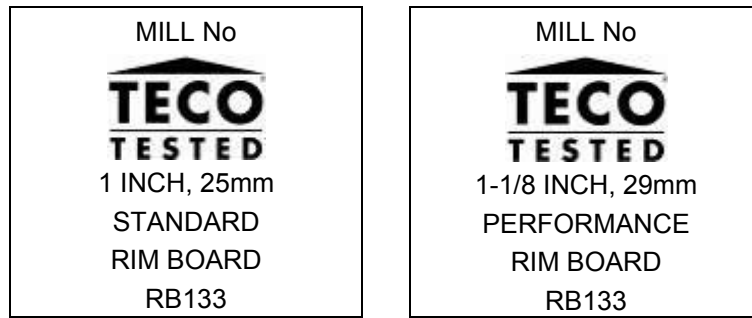
<b>Thickness (mm)</b>	25, 29, 32, 38
<b>Depth (mm)</b>	241, 302, 356, 406, 457, 508, 559, 610
<b>Length (m)</b>	2.44 to 7.32

## **Identification of Certified Products**

TECO certified rim board must be identified with the following information:

- Name of the manufacturer or the TECO mill number (posted on TECO’s web site);
- TECO’s registered Certification Mark;
- Grade of the rim board;
- Thickness; and
- The RB 133 standard.

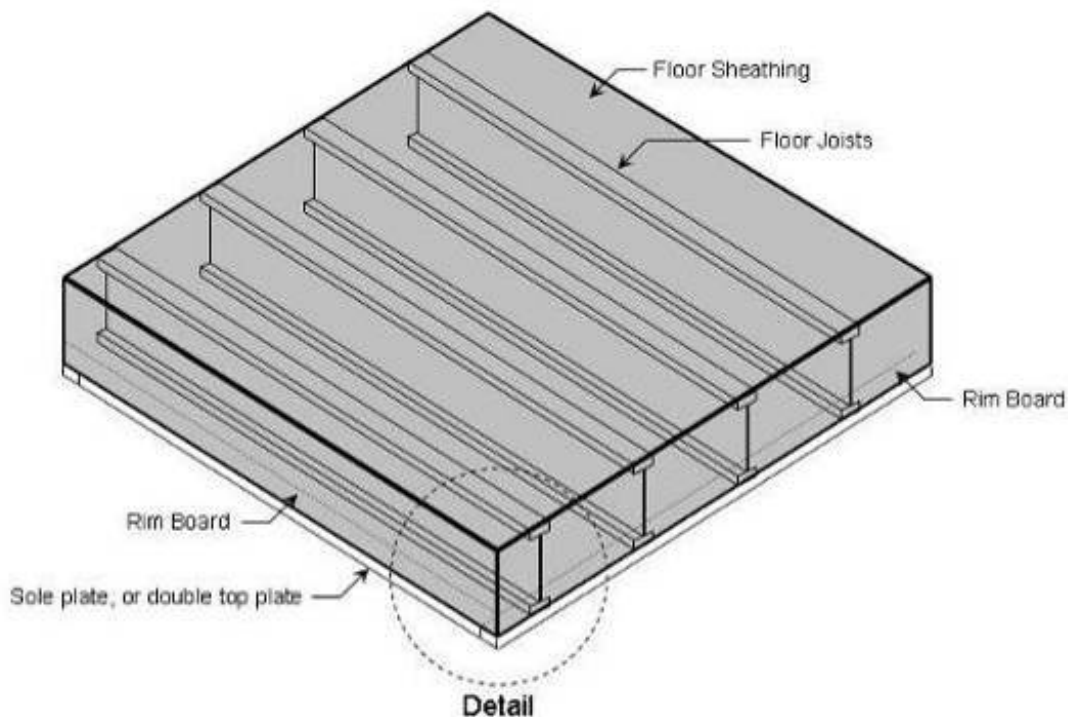
Example gradestamps are presented in **Figure 1**.



**Figure 1.** Example Gradestamps for TECO certified rim board.

### **Installation Instructions**

Floor systems can only achieve their full structural capacity with proper installation of all structural elements. This means using appropriately-sized nails and following recommended nailing schedules. Table 9.23.3.4 of the National Building Code of Canada (2005) provides nailing schedules for all structural elements in building construction. **Figure 2** shows the primary structural elements involved when installing rim board: (1) floor sheathing to rim board, (2) rim board to floor joists, (3) rim board to rim board corner details, (4) rim board to sole plate, and (5) deck ledgers to rim board.



**Figure 2.** Structural floor system shown with rim board

### Floor sheathing to Rim Board:

Minimum 63 mm nails, spaced 150 mm on center are required for attachment of floor sheathing to the top edge of the rim board. These nail connections provide resistance to the lateral loads from the wall.

### Rim Board to I-joist:

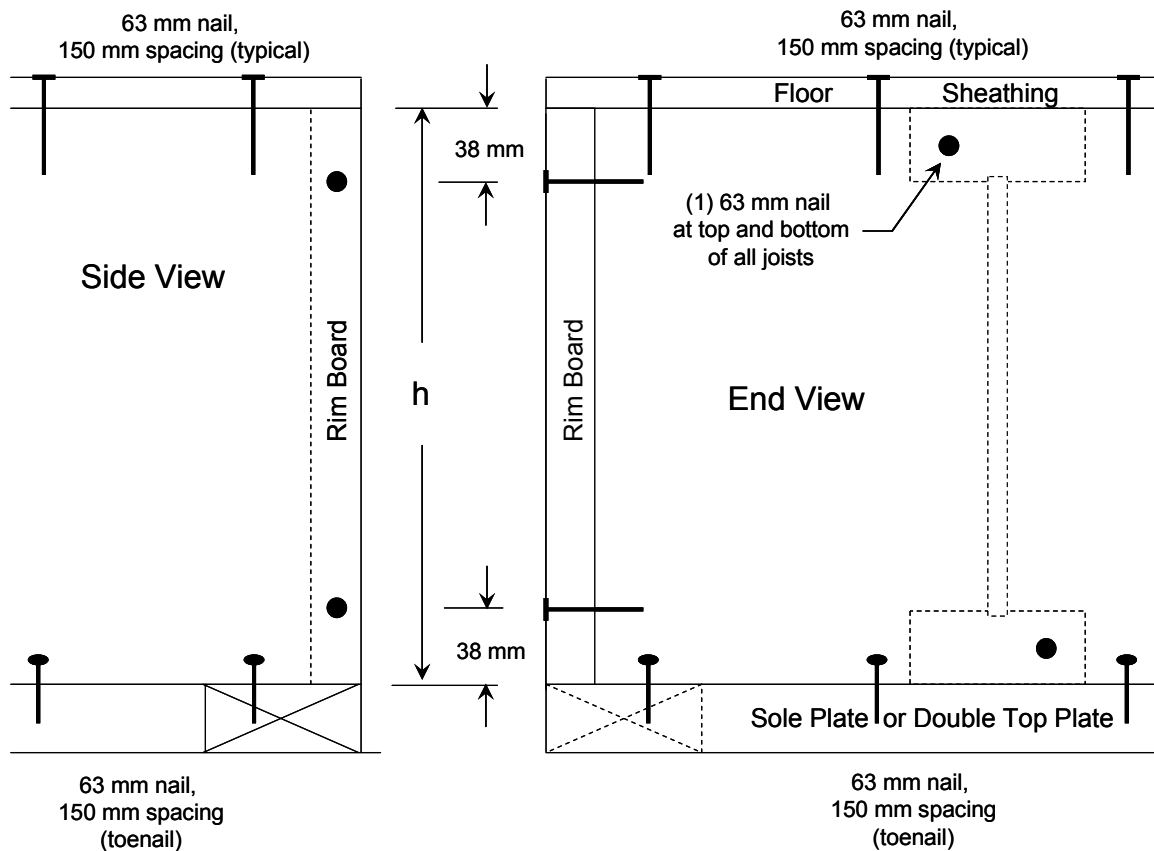
Use two (2) 63 mm nails, one each into the top and bottom flanges. This is typical for rim board having a thickness up to 29 mm. A longer nail may be required by the I-joist manufacturer for thicker rim board products. These nail connections provide lateral support for the floor joists to resist rotation.

### Rim Board to Rim Board:

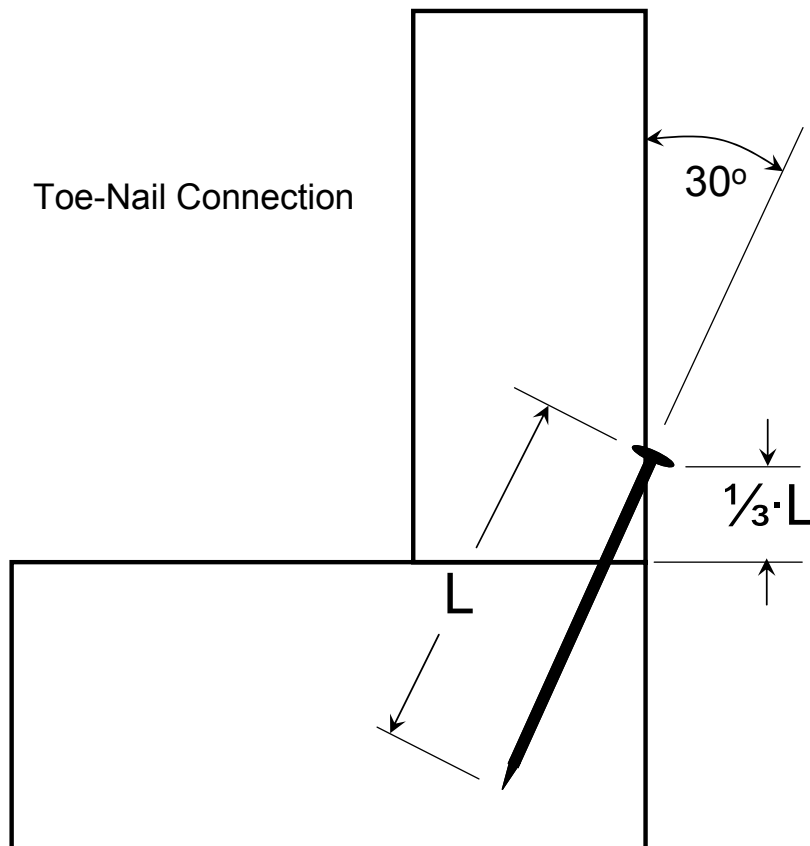
Use a minimum of two (2) 63 mm nails to attach rim board to rim board at corner details (**Figure 3**). Rim board to rim board butt joints should be made between floor joists to minimize damage to joists caused by end nailing.

### Rim Board to Sole plate:

Toe nail using 63mm nails spaced 150 mm on center or 82 mm nails spaced 300 mm on center. The toe-nailing details should follow recommendations published in section 11 of the National Design Specifications for Wood Construction (ANSI/AF&PA, 2005), as shown in **Figure 4**.



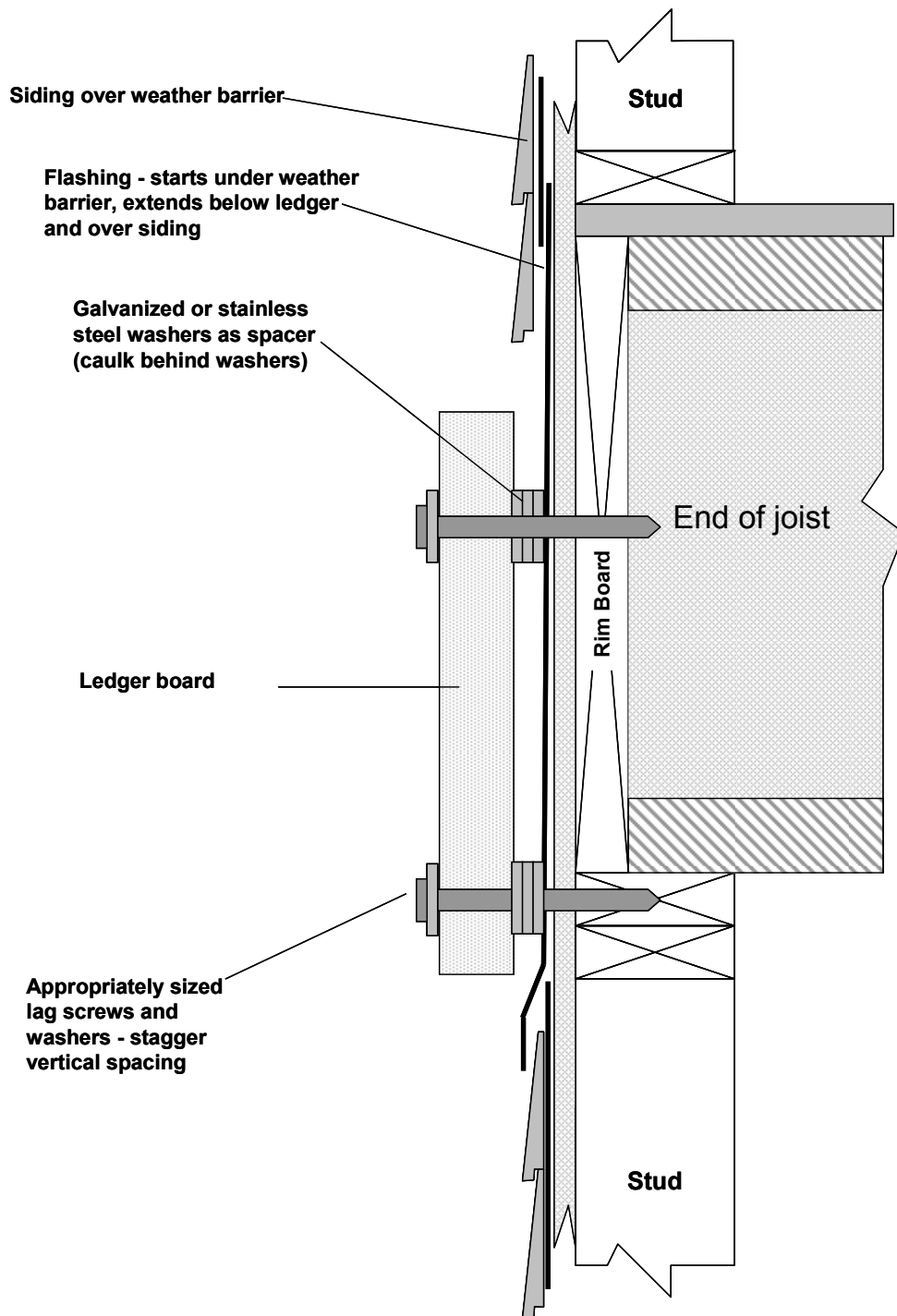
**Figure 3.** Nailing schedule for Detail area in Figure 2.



**Figure 4.** Recommended Toe-Nail connection detail (ANSI/AF&PA, 2005)

### **Attachment of Siding and Deck Ledgers to Rim Board.**

Rim board can provide an attachment base for siding and/or an exterior deck ledger. For deck ledger attachment, Table 11J of the National Design Specifications for Wood Construction (ANSI/AF&PA, 2005) provides reference lateral design values for lag screws. For 12.7 mm diameter lag screws, a minimum penetration of 8 times the diameter, or 102 mm, provides 1,558 kN of lateral resistance per fastener, based on the use of a species having a specific gravity of at least 0.42. The ANSI/AF&PA standard should be used for designing the fasteners for other species, and other lag screw sizes. Construction details that avoid potential decay and situations should be used, such as providing air space between the deck ledger and the rim board by use of stainless steel washers as spacers (**Figure 5**).



**Figure 5.** Siding and deck ledger attachment to rim board

## Factored Resistances for Rim Board

Rim board recognized in accordance with TECO RB133 is available in sizes listed in **Table 1** and has design capacities listed in **Tables 2** and **3**.

**Table 2.** Factored Resistances of rim board

Rim Board Grade	Minimum thickness (mm)	$\phi H^1$	$\phi V^1$			$\phi Z^1$	$\phi P^1$
		(kN/m)	(kN/m)			(kN)	(kN)
		Depth (d) Limitation (mm)					
		d ≤ 610	d ≤ 406	406 ≤ d ≤ 610	D ≤ 610	d ≤ 610	
Standard	25	3.4	80.3	40.2	2.2	26.0	
	29	3.4	107.1	73.0	2.6	26.0	
Performance	25	N/A <sup>2</sup>					
	29	3.8	118.1	77.9	2.6	26.0	

1. H is horizontal shear load transfer; V is bearing (vertical) load; Z is lateral resistance of 13mm diameter lag screw; and P is concentrated vertical load capacity.
2. The minimum thickness for Performance grade rim board is 29 mm.

**Table 3.** Allowable edgewise bending properties for rim board used as lintels when the span does not exceed 1.22 m.<sup>1,2</sup>

Grade	$\phi F_{be}$ (MPa)	$E_e$ (MPa)	$\phi F_{ve}$ (MPa)	$\phi F_{c\perp e}$ (MPa)
Standard, Performance	6.9	3793	3.1	5.5

1.  $\phi F_{be}$  is factored allowable edgewise bending stress,  $E_e$  is allowable edgewise modulus of elasticity;  $\phi F_{ve}$  is factored allowable edgewise shear stress; and  $F_{c\perp e}$  is allowable compression perpendicular to grain.
2. Values are applicable to long-term duration (10 years), and can be adjusted for other load durations in accordance with applicable design codes (except for edgewise modulus of elasticity and compression perpendicular to grain)

## Design Procedures

When rim board is used to span openings up to 1.22 m in length, allowable loads are calculated based on design calculations that check for bending, shear, and bearing. **Table 4** provides allowable loads based on the design values in Tables 2 and 3.

Several loading scenarios may occur that are outside the scope of this guide. For example, when rim board is used in applications requiring a high lateral load transfer capacity, specialty connectors can be used between the rim board and framing (or sole plate). Consult a structural engineer to determine the additional load transfer capacity needed, and install specialty connectors that provide the added lateral load transfer capacity.

Rim boards can also be used as fire blocking panels. The (2005) National Building Code of Canada requires a minimum thickness of 12.5 mm when plywood, OSB or waferboard is used as a fire stop, provided that all joints are continually supported.

Rim board can be subjected to a combined uniform and concentrated vertical load. For this scenario, the structural engineer should check that the applied concentrated load does not exceed the concentrated load capacity (P) provided in Table 2. Additionally, the bearing capacity of this load scenario should be checked by combining the applied uniform load and the equivalent uniform load created by the applied concentrated load. The equivalent uniform load should be based on the bearing length of the applied concentrated load, and increased by a 45° load distribution path from the floor sheathing down to the rim board. The calculated combined uniform load is then compared to the allowable vertical load capacity (V) from Table 2.

**Table 4.** Allowable loads for rim board used as lintels<sup>1</sup>.

Thickness	Depth	Rim Board Span <sup>2</sup>	
		1067 mm	1219 mm
		Allowable Load <sup>3</sup> (kN/n)	
25 mm	241 mm	10.8	8.3
	302 mm	13.7	10.5
	356 mm	16.2	12.4
	406 mm	18.5	14.2
29 mm	241 mm	13.9	10.6
	302 mm	19.2	14.7
	356 mm	23.0	17.6
	406 mm	26.3	20.2

1. This table is for preliminary design only. Final design should include a complete analysis, including bearing stresses and lateral stability.

2. Span is distance between edges of opening. No joints in rim board are allowed in opening, or within 304 mm of opening.

3. Calculated values are worst case governed by bending, shear, deflection, or vertical bearing load